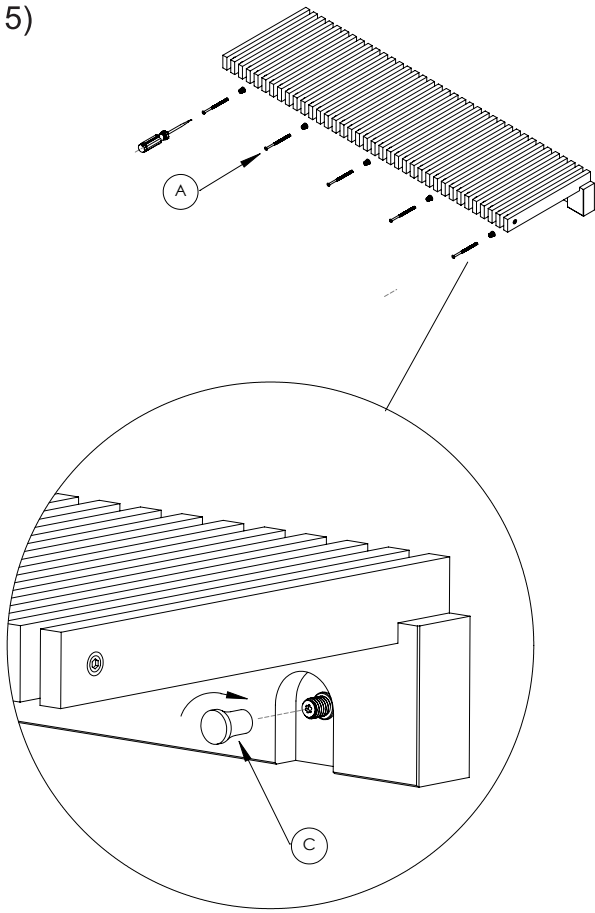


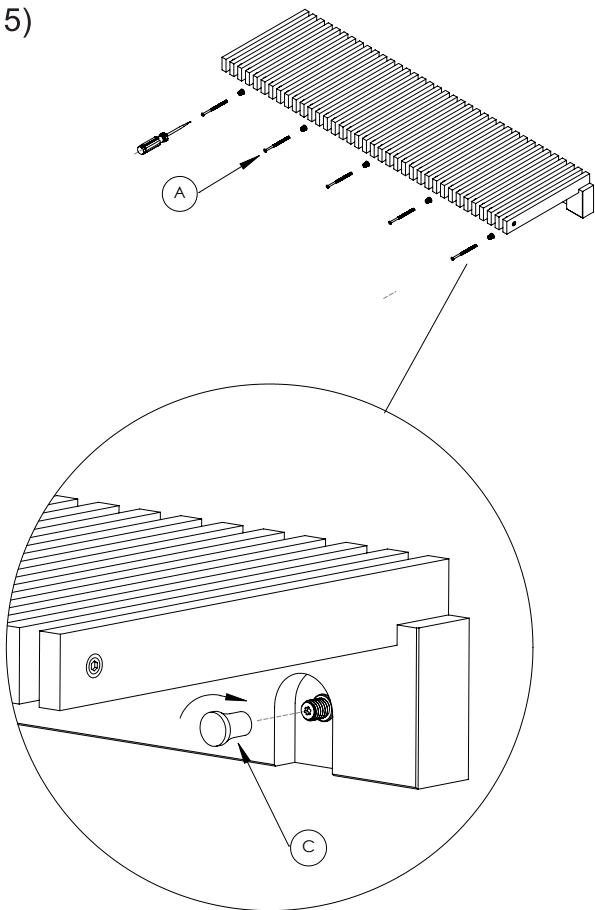
5)



ASSEMBLY GUIDE FOR YOUR NEW PRODUCT




SKAGERAK
DENMARK

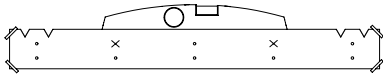
5)



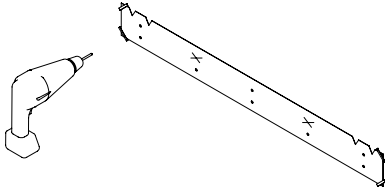
ASSEMBLY GUIDE FOR YOUR NEW PRODUCT

SKAGERAK
DENMARK

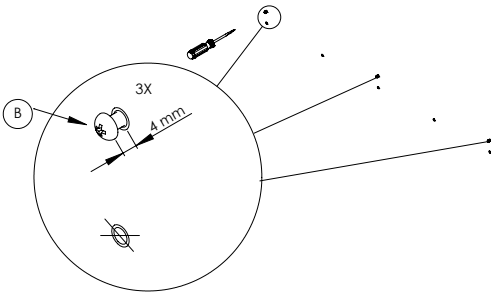
- 1)  A x 5  B x 3  C x 5



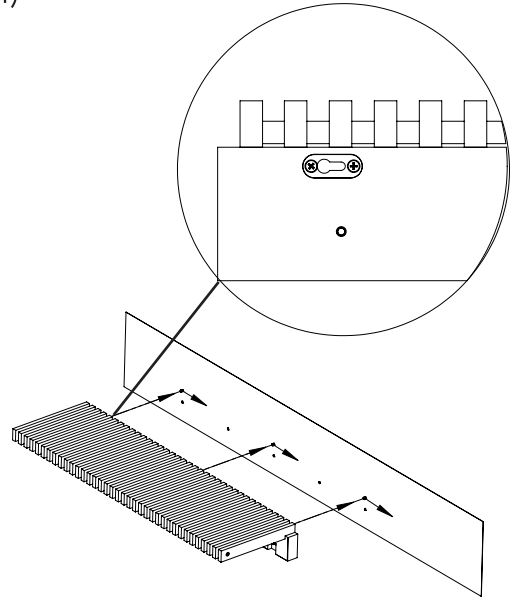
2)




3) Use fixing devices suitable for the wall.

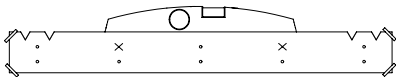


4)

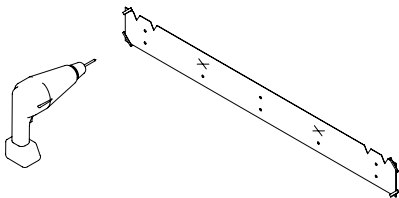


-  A x 5  B x 3  C x 5

1)

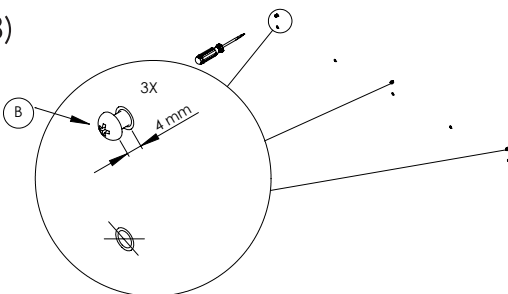


2)



Use fixing devices suitable for the wall.

3)



4)

